

OPERATING INSTRUCTIONS

MODEL NO.: 2601



CE



Imported by:
Hööks Hästsport AB
Företagsgatan 58
501 77 Borås
Sweden

Manufactured by:
Ningbo Shenjian Electrical Appliance Manufacture Co., LTD.
Fenghua Xikou Development Zone
Ningbo China

INTRODUCTION

These instructions must be read by anyone intending to use these clippers. It is very important to keep these instructions in a safe place so that they are close at hand for your reference. Should these clippers be passed on to someone else, please ensure that you hand over these instructions with the clippers.

PURPOSE OF USE

This appliance is intended for use on horses for trimming purposes and is NOT to be used on humans. It is for domestic use only and unsuitable for commercial use.

WARNING

This appliance can be used by children aged 3 years and over under supervision. However, we do not recommend that children use this appliance.

This appliance can be used by children aged 8 years and over and persons with reduced physical, sensory or mental capabilities or lack of experience and knowledge, provided they have been given supervision or instruction concerning the use of the appliance in a safe way and understand the hazards involved. Children must not play with the appliance. Cleaning and user maintenance must not be performed by children without supervision.

Always keep your clippers dry.

WARNING: Cutting blades may become hot after prolonged use. Oil every 3 – 5 minutes.

SAFETY FIRST

- Only use this appliance for its intended purpose as outlined in these instructions
- The user of these clippers must be experienced and trained in clipping animals
- These clippers must only be used by a person who is used to handling the animal being clipped
- Only ever clip in a well-ventilated area
- Do not place or leave the clippers where they may be damaged by the animal you are clipping
- Never use blades with broken or damaged teeth
- Oil the clipper blades every 3 – 5 minutes
- Insufficient oiling of the clippers can make the clippers hot when in use
- Check frequently to make sure you are not burning the animal
- Do not leave the clippers in damp or wet weather conditions
- Cleaning and general maintenance must not be performed by children
- Do not use these clippers if under the influence of alcohol or drugs
- Make sure you wear personal protective equipment such as goggles, gloves, anti-slip footwear and overalls
- These clippers must not be used by children

Contents

1. Product list	5
1.1 Parts list	6
1.2 Packing list.....	6
2. Range of application.....	6
3. Technical data	7
3.1 Clippers.....	7
3.2 Battery pack	7
3.3 Charger.....	7
4. Operation.....	7
4.1 Precautions for operation	7
4.2 Adjust pressure of the blades with the adjustment cap	8
Before clipping:	8
During clipping:	8
4.3 Lubrication.....	8
Before and during clipping.....	8
4.4 Switching on/off.....	8
4.5 Replacing the battery cartridge.....	8
4.6 Charging.....	9
4.7 Malfunctions	9
5. Safety rules	9
5.1 Introduction.....	9
5.2 Proper use.....	9
5.3 Safety principles.....	10
5.3.1 Power connections	10
5.3.2 Servicing and checking requirement.....	10
5.3.3 Noise emissions/personal protective equipment	10
5.3.3.1 Wear ear protectors.....	10
5.3.3.2 Wear protective goggles and gloves	10
5.3.4 Other dangers.....	10
5.4 Essential operator skills	10
5.5 Safety instructions for the charger & battery cartridge	10
5.6 Additional safety rules for the charger & battery cartridge.....	11
6. Daily care and maintenance.....	11
6.1 Cleaning.....	11
the clipper head and clipper blades	11
6.2 Fitting the clipper blades.....	11
6.3 Resharpener the clipper blades.....	11
6.4 Storing the clipping appliance.....	12
7. Malfunction analysis	12
8. Environmental protection and disposal	13
8.1 Introduction.....	13
8.2 Recycling the battery	13
8.3 Material categories	13
9. Illustration.....	14
1. Product list	5
1.1 Parts list	6
1.2 Packing list.....	6
2. Range of application.....	6
3. Technical data	7

3.1 Clippers.....	7
3.2 Battery pack	7
3.3 Charger.....	7
4.Operation.....	7
4.1 Precautions for operation.....	7
4.2 Adjust pressure of the blades with the adjustment cap	8
Before clipping:.....	8
During clipping:.....	8
4.3 Lubrication.....	8
Before and during clipping.....	8
4.4 Switching on/off.....	8
4.5 Replacing the battery cartridge.....	8
4.6 Charging.....	9
4.7 Malfunctions	9
5. Safety rules	9
5.1 Introduction.....	9
5.2 Proper use.....	9
5.3 Safety principles	10
5.3.1 Power connections	10
5.3.2 Servicing and checking requirement.....	10
5.3.3 Noise emissions/personal protective equipment	10
5.3.3.1 Wear ear protectors.....	10
5.3.3.2 Wear protective goggles and gloves.....	10
5.3.4 Other dangers.....	10
5.4 Essential operator skills	10
5.5 Safety instructions for the charger & battery cartridge.....	10
5.6 Additional safety rules for the charger & battery cartridge.....	11
6. Daily care and maintenance.....	11
6.1 Cleaning.....	11
the clipper head and clipper blades	11
6.2 Fitting the clipper blades.....	11
6.3 Resharpener the clipper blades.....	11
6.4 Storing the clipping appliance.....	12
7. Malfunction analysis	12
8. Environmental protection and disposal	13
8.1 Introduction.....	13
8.2 Recycling the battery	13
8.3 Material categories	13
9. Illustration.....	14

1. Product list

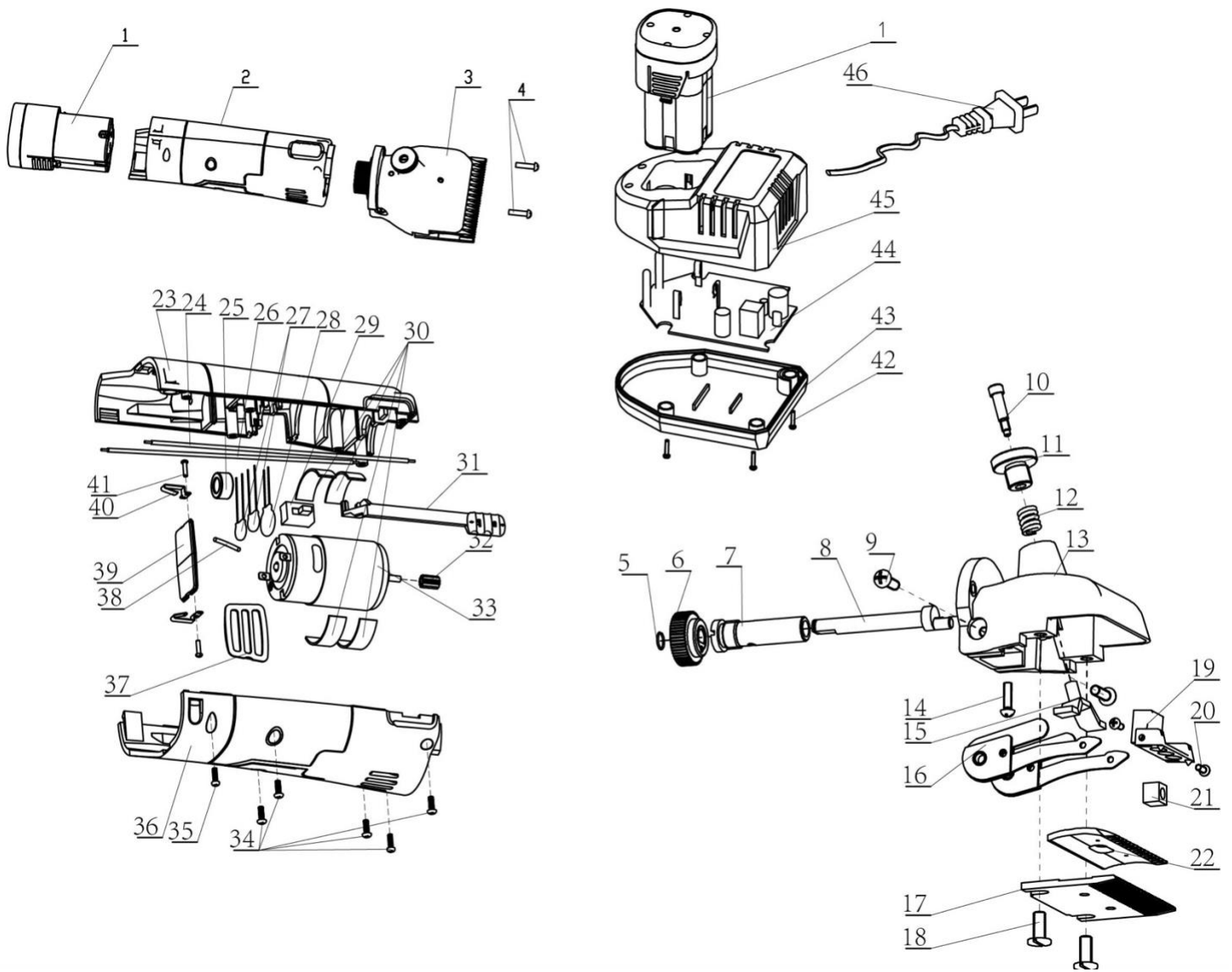


Figure 1

1.1 Parts list

1	Battery Pack	2	Body	3	Clipper Head
4	Screw				
Clipper head (Including Clipping blades)					
5	Jump Ring	6	Gear	7	Deflection Collar
8	Axis Of Deflection	9	Screw	10	Adjustment Screw
11	Adjustment Cap	12	Regulation Spring	13	Aluminium Head
14	Screw	15	Adjustment Claw	16	Demihull Component
17	Bottom Blade	18	Screw	19	Swing Head Component
20	Screw	21	Slide Block	22	Upper Blade
Body					
23	Left Body	24	Wire	25	Magnet Ring
26	Wire	27	Capacitance	28	Capacitance
29	Switch	30	EVA	31	Switch Push Button
32	Small Gear	33	Motor	34	Screw
35	Screw	36	Right Body	37	Mesh Enclosure
38	Wire	39	Connector Piece	40	Contact Chip
41	Screw				
Charger Set					
42	Screw	43	Charging Bottom	44	PCB
45	Charger Base	46	Power Cord		

1.2 Packing list

Clipping apparatus with clipper head	1
Battery cartridge	2
Clipping blades	1 pair
Battery charger	1
Cleaning Brush	1
Operating Instructions	1
Tool box	1

2. Range of application

These horse clippers are for use on cattle and horses. They may also be used on sheep and goats, as well as llamas, alpacas and other members of the camel family by changing the standard shearing head. They must not be used on people.

Notice: This appliance cannot be operated without the blades fitted.

3. Technical data

3.1 Clippers

Model NO.	2601
Voltage	100-240V~
Motor power	45W
Speed	2400rpm
Amplitude of swing	6.5mm
Dimensions (W/H/L)	Approx 72mm×80mm×281mm (including battery cartridge)
Weight	1.1kg (including battery cartridge)

3.2 Battery pack

Battery Specification	14.4V Li-ion battery cells
Voltage	14.4V $\overline{=}$
Capacity	2500mAh
Overload current	10A
Weight	213g

3.3 Charger

AC input	100-240V 50/60Hz
DC output	17V $\overline{=}$ 1500mA
Operating temperature	-40 to 40°C
Weight	398g

4. Operation

4.1 Precautions for operation

It is dangerous to use electrical equipment improperly, especially stockbreeding equipment! You must therefore observe the following accident-prevention measures before use:

- The mains voltage must be the same as that shows on the nameplate. The charger must be connected to the AC Supply.
- Avoid contact with the moving shearing blades.
- Even if the appliance is switched off, do not handle the area of the clipping blades as long as the appliance is connected to a battery cartridge. Cut off the power supply before changing the shearing blades/shearing head.
- Do not touch any appliance which is in contact with any liquids. Never clip wet animals. Any liquid which has got into the appliance will lower its electrical insulation. Electric shocks and short circuits are dangerous. The appliance should therefore be cleaned with the cleaning brush and then dried.
- Where an electric cable is lying on the ground, it can easily cause danger. Before charging, the cable must be laid out carefully and safely.

Avoid kinks in the power cable and prevent it from becoming entangled. Do not allow animals to stand on or walk across the power cable in case they touch it. Do not wrap the power cable around the appliance and keep it away from hot surfaces and objects, which could cause damage to the insulation. The cable must be checked regularly to make sure it is not damaged.

- Switch the appliance to off (**Figure 2**) before replacing the battery cartridge.
- Wear professional clothes. Do not wear any loose clothing or items of jewellery that could get caught up in moving appliance parts. We would recommend in the strongest terms that protective goggles and ear protectors should be worn.
- Do not insert any objects into the appliance.
- Noise from the appliance can cause animals to react. In serious cases people could be kicked by an animal or crushed by its body weight. The animal to be clipped should be tethered securely. Approach the animal and switch the appliance on within its range of vision.
- Remove unauthorised persons from the clipping area before clipping animals.

- Only clip in well-ventilated spaces (for dust) and never clip near objects or gases.
- Danger of blockage! The appliance should not be operated unless the blades are fitted. These safety notes must be complied with at all times.

4.2 Adjust pressure of the blades with the adjustment cap

Before using the clippers, adjust them as follows:

Before clipping:

With the appliance switched off, tighten the adjustment cap (Figure 3, part 5) until it can clip hair smoothly (**Figure 3**).

During clipping:

Ensure that the pressure of the blade is not set too high, otherwise clipped hair may collect in the blades. If the adjustment cap is not tightened at the beginning of operation, clipping will be laborious or even impossible. At this time, the power supply should be disconnected, and the plug should be pulled out from the power supply socket. Remove the blade. Clean and lubricate the blade, and then reassemble as stipulated.

Set the blade pressure properly:

If the adjustment cap is too tight, the blade pressure will be too high, which will result in the blades quickly becoming hot, fast wear and loud operation. If you observe that this is the case, unscrew the adjustment cap slowly until the noise reaches a normal level and proper clipping results are achieved. During unscrewing, feel the pressure and set it properly according to need.

Hair may collect between the clipper blades if they are insufficiently tensioned at the start of clipping. This will hinder further clipping. If this happens, the clipper blades must be disassembled, cleaned, oiled and re-fitted.

This clipping system operates at much lower pressure than traditional animal clipping appliances.

4.3 Lubrication

Before and during clipping

A thin layer of oil on the upper and lower blades (**Figure 4**) is essential for good clipping and to increase the life of the appliance and the clipper blades. All other moving parts should be well-oiled at the clipping head. Place a few drops of oil on the clipper blades and pour some into the lubricating holes located on the clipper head (**Figure 4**). Clipper blades oiled using inappropriate oil will overheat. This will also reduce the life of the clipping blades. The clipping blades and clipper head must be adequately lubricated at least every 15 minutes to ensure that they do not dry out.

4.4 Switching on/off

There are two positions on the slide switch (**Figure 2**).

On position: appliance switched on

Off position: appliance switched off.

Always use the slide switch (**Figure 2**) to switch the appliance on or off.

Check the switch position before replacing the battery cartridge.

4.5 Replacing the battery cartridge

1. Switch off the appliance before inserting or removing the battery cartridge.
2. Remove the battery cartridge from the clippers by pressing the buttons on both sides of the battery cartridge (**Figure 5**).
3. Insert the battery cartridge and push until it locks in place with a small click. Failure to do this may result in the battery cartridge accidentally falling out of the appliance, causing injury to you or someone around you.
4. Do not use force when inserting the battery cartridge. If the battery cartridge does not slide easily, it has not been inserted correctly.
5. The battery cartridge stops automatically if the output power is low (output voltage less than 12V).

Note:

Ensure that the appliance is switched off and the battery cartridge removed before adjusting or checking the functioning of the appliance.

4.6 Charging

1. Plug the battery charger into the proper AC voltage source. The charging light will flash green.
2. Remove the battery cartridge from the clipper body and insert it into the battery charger.
3. As soon as the battery cartridge is inserted into the battery charger, the red light on the battery charger should light up.
4. When this light goes from red to green, the charging cycle is complete.
5. The battery charger will switch into trickle charge (maintenance charge) mode when the battery is full.
6. After charging, remove the charger from the power source.
7. Full charging takes approximately 4 hours.

Note:

- When charging a new battery cartridge or one that has not been used for a long period of time, it may not accept a full charge. This is normal and does not indicate a problem. You will be able to recharge the battery cartridge fully after discharging it completely and recharging it a couple of times.
- If you charge a battery cartridge from an appliance that has just been used or that has been left exposed to direct sunlight or heated for a long time, the charging light may flash red. If this occurs, disconnect and wait a while. Do not charge again until the battery cartridge has cooled. The battery cartridge will cool faster if you remove the battery cartridge from the battery charger.
- If the charging light flashes alternately green and red, charging is not possible. The terminals on the charger or battery cartridge may be clogged with dust or the battery cartridge may be worn out or damaged.

4.7 Malfunctions

To rectify malfunctions, please refer to Section 7 “Repairs”, which contains a list of malfunctions and their analyses.

5. Safety rules

Never connect the clippers directly to the mains supply.

- Clipping large animals is a dangerous activity – safety measures should be put in place.
- Wear protective clothing and protective eyewear. Tie up long hair and remove jewellery. Head protection is recommended when clipping large animals.
- Regularly inspect moving parts for damage.
- Repairs must be performed by a qualified repairer, using genuine GTS parts.
- The product must be used strictly in accordance with the limits of application specified here.
- Do not use accessories other than those recommended by GTS.
- Do not burn or incinerate the battery cartridge.

5.1 Introduction

This section describes the mandatory safety rules that must be complied with when using the clippers. All users should read the operating instructions before using the product. The operating instructions must be kept safely in the storage case at all times.

5.2 Proper use

Section 2 sets out what animals the appliance may be used on.

Safe operation is as follows:

the details set out in Section 3 “Technical data” are to be regarded as mandatory operating limits and ratings. Clipping other animals, in particular dangerous animals such as beasts of prey and the like, will be regarded as improper use of the appliance. Doing so could give rise to circumstances that put human beings in danger. This appliance is not intended for use by young children or the infirm. If it is used, ensure that it not subjected to splashing or the ingress of moisture.

5.3 Safety principles

5.3.1 Power connections

Only insert the plug into undamaged sockets. Defective installations can cause an electrical shock or a short circuit. Outdoor sockets must be equipped with a fault current breaker. Observe the relevant national regulations.

Cleaning and servicing should only be performed with the mains plug pulled out. Never leave an appliance with its cable plugged in if it will be left lying around unsupervised. Keep children away from the working area and store the appliance out of their reach.

5.3.2 Servicing and checking requirement

Only operate the clipping appliance if it is in a fit and undamaged condition. Any defects in the housing or the electrical cable should be rectified by a repair or service agent.

5.3.3 Noise emissions/personal protective equipment

5.3.3.1 Wear ear protectors

Typical sound emissions in operation are loud. We recommend that ear protectors should always be worn when the appliance is in use.

5.3.3.2 Wear protective goggles and gloves

We recommend that you wear protective goggles and gloves during clipping. Personal protective equipment is to be provided by the operator.

5.3.4 Other dangers

If a failure occurs during general operation, stop clipping animals immediately. Please contact us.

5.4 Essential operator skills

Improper operation can cause damage. The necessary skills must therefore be mastered. It is essential that the following is observed and implemented.

- The operator must have been trained before operating the appliance.
- The operator must have read and understood the instructions or have been instructed by an expert in the appliance's use and have had the potential dangers explained to them.
- Children are strictly prohibited from using the appliance.

5.5 Safety instructions for the charger & battery cartridge

1. SAVE THESE INSTRUCTIONS – This manual contains important safety and operating instructions for the battery charger.
2. Before using the battery charger, please read all the instructions and cautionary markings on the battery charger, the battery, the product and how to use the battery.
3. CAUTION – The charger can only use GTS rechargeable batteries as marked on the charger label in order to reduce risk of injury. Other types of batteries may burst, causing personal injury and damage.
4. Do not expose the charger to rain or snow.
5. Do not use any attachment not recommended or sold by the battery charger manufacturer – this could give rise to a risk of fire, electric shock or injury.
6. When disconnecting the charger, pull the plug rather than the cord so as to reduce the risk of damage to the plug and cord.
7. To avoid unnecessary damage, ensure that the cord is not stepped on or tripped over.
8. Do not operate the charger if the cord or plug has been damaged. Replace them immediately.
9. Do not operate the charger if it has received a sharp bang or been dropped or damaged in any way. Please take it to a qualified service engineer.

10. Do not disassemble the charger or battery cartridge. Take it to a qualified service engineer when repair is needed. Incorrect reassembly could cause a risk of electric shock or fire.
11. Please switch the appliance off to reduce the risk of electric shock, and unplug the charger from the power outlet before attempting any maintenance or cleaning.
12. The battery charger is not to be operated by young children or the infirm without supervision.
13. If operation of the appliance is excessively slow, stop using it immediately. There is a risk of overheating, burning and even explosion.
14. If electrolyte gets into your eyes, rinse them out with clean water and seek medical attention immediately. Your eyesight is at risk.

5.6 Additional safety rules for the charger & battery cartridge

1. Do not charge when the temperature is BELOW -40°C or ABOVE 40°C.
2. Do not attempt to use a step-up transformer, an engine generator or a DC power store.
3. Do not allow anything to cover or clog the charger vents.
4. Always cover the battery terminals when the battery cartridge is not in use.
5. Do not short the battery cartridge:
 - (A) Do not touch the terminals with any conductive material.
 - (B) Avoid storing the battery cartridge in a container with other metal objects such as nails, coins, etc.
 - (C) Do not expose the battery cartridge to water or rain. A battery short can cause a large current flow, overheating, possible fire or breakdown.
6. Do not store the appliance and battery cartridge in locations where the temperature may reach or exceed 50°C.
7. Do not incinerate the battery cartridge even if it is severely damaged or is completely worn out. The battery cartridge will explode in a fire.
8. Be careful not to drop, shake or strike the battery.
9. Do not pack anything in a box or container. The battery should be placed in a well-ventilated area during charging.

6. Daily care and maintenance

Disconnect the power supply before commencing any servicing work. Remove the battery cartridge. Do not handle the area round the clipper blades as long as the appliance is still connected to a power source, even if it is switched off. Always disconnect the power supply first whenever working on the clipper blades or clipper head.

6.1 Cleaning the clipper head and clipper blades

After clipping, remove all oil from the appliance by rubbing it down with a dry cloth. Clean the clipper head and clipper blades with a dry brush. Then oil the parts to prevent rusting: even small rust spots on the blades can adversely affect clipping or make it completely impossible.

6.2 Fitting the clipper blades

A pair of clipper blades consists of a lower blade (**Figure 7, part 28**) and an upper blade (**Figure 7, part 33**). When adjusting the blades, take care to ensure that the correct surfaces come to rest on each other. The blades are fitted as follows:

loosen the adjustment cap and ensure that the new clipper blades are clean and the surfaces are free of dirt. Then fit the blades and tighten the adjustment cap (**Figure 3**) until the appliance clips smoothly. If this does not occur, refit the blades.

After you adjust the blades smoothly, add a few drops of oil to the surface of the blades and the lubrication hole (**Figure 4**).

6.3 Resharpener the clipper blades

Only work with sharp clipping blades that clip horsehair smoothly. Replace blunt blades or those with missing teeth. Do not resharpen the clipper blades yourself. This can only be done with a special appliance and a trained operator.

6.4 Storing the clipping appliance

Keep the appliance in a dry place. Do not switch the appliance on if you suspect that any liquid has got into it. There is a risk of an electric shock or short circuit. Please take the clipping appliance to a service centre. It is important to get into good habits in respect of how the appliance is stored.

7. Malfunction analysis

If there is something you do not understand, please contact a service centre.

MALFUNCTION	CAUSE	RECTIFICATION
Charging indicator not on	Not connected to a power supply	Plug into a power supply
	Indicator damaged	If you can still charge the clipper normally, it is not necessary to repair it. If you really need to repair this problem, please return the appliance to a service centre.
	Low power (appliance not used for a prolonged period)	Please charge the battery continuously for a few minutes and it should work normally
	Charging circuit defect	Return the appliance to a service centre
Charging takes too long	Original adaptor not used	Use the original adaptor for charging
	Reach the life time of battery	Return the appliance to a service centre
	Charging circuit defect	Return the appliance to a service centre
Appliance does not work when you turn it on	Low power level on battery	Charge battery with the adaptor and power cord
	Power switch damaged	Return the appliance to a service centre
	Circuit defect	Return the appliance to a service centre
Appliance is noisy	Insufficient lubrication of the cutting blades	Lubricate the cutting blades
	Hair twisted on cutting head	Clean the cutting head and clippers
Clipper head too hot	The pressure on the blades is too high	Reduce the pressure on blades using the adjustment cap
	There is no lubricating oil on the blades	Add lubricating oil
	No lubricating oil at the driving wheel	Add lubricating oil to the lubrication port on the clipper head
Cutting performance is not good	Clipper blades are blunt	Have upper and lower blade resharpened by a service centre
	Clipper blades are not contacting correctly	
	Clipper blades not oiled	Oil clipper blades every 15 minutes
	Clipping tension too low	Add pressure by tightening the adjustment cap (Figure 3)
	The animal's hair is wet	Only clip when dry
Other	Possible malfunction	Have clipper checked by a qualified repairer

8. Environmental protection and disposal

8.1 Introduction

The owner has a duty to dispose of the clipper blades and the clipping appliance properly at the end of their service life. Please observe your relevant national regulations.

8.2 Recycling the battery

The only way to dispose of a GTS battery is to recycle it. The law prohibits any other method of disposal. To recycle the battery:

1. Remove the battery from the appliance.

a) Take the battery to your nearest GTS Factory Service Centre.

b) Take the battery to your nearest GTS Authorised Service Centre or Distributor that has been designated as a GTS battery recycling location.

Call your nearest GTS Service Centre or Distributor to find a facility that provides GTS battery recycling.

8.3 Material categories

Please hand the appliance to a service centre or to a specialist electrical dealer in your vicinity for disassembly.

Material	Contained in items from illustration
Copper	7
Polyamide	5/35/36
Steel	4/8/12/16/18/19/20/21/22/23/25/26/27/28/29/30/31/32/33/34/37/38/39
Aluminium	24
Battery	1
Other materials	6/40/42

9. Illustration

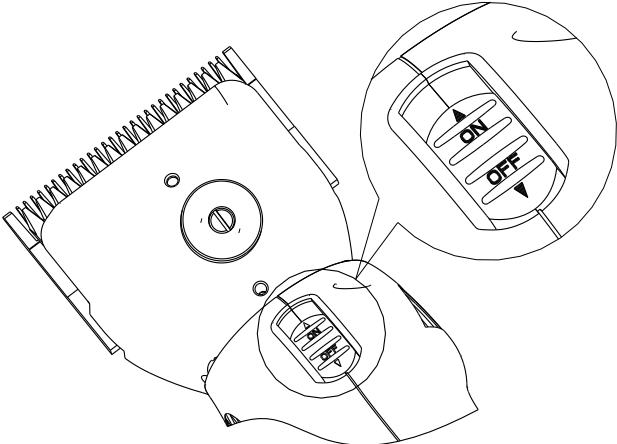


Figure 2

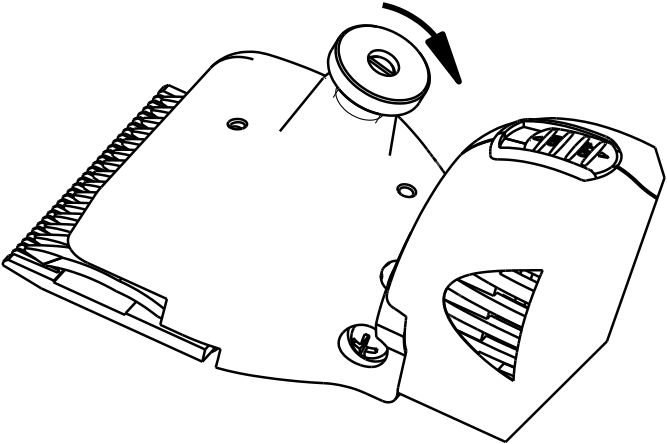


Figure 3

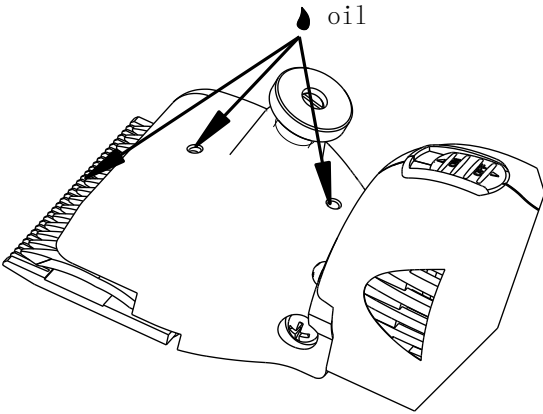


Figure 4

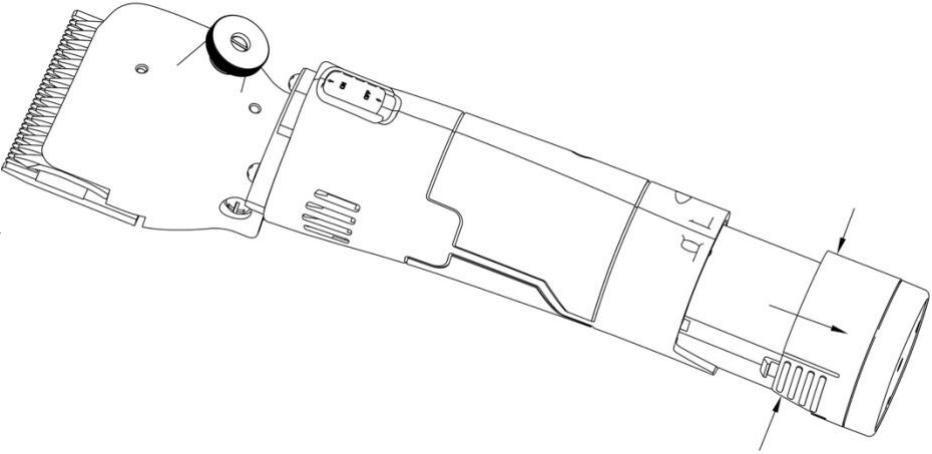


Figure 5

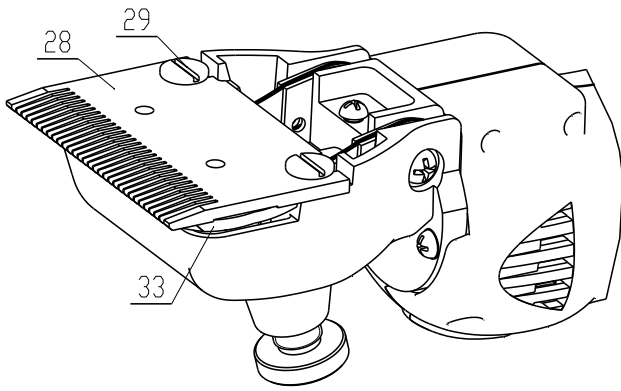


Figure 6

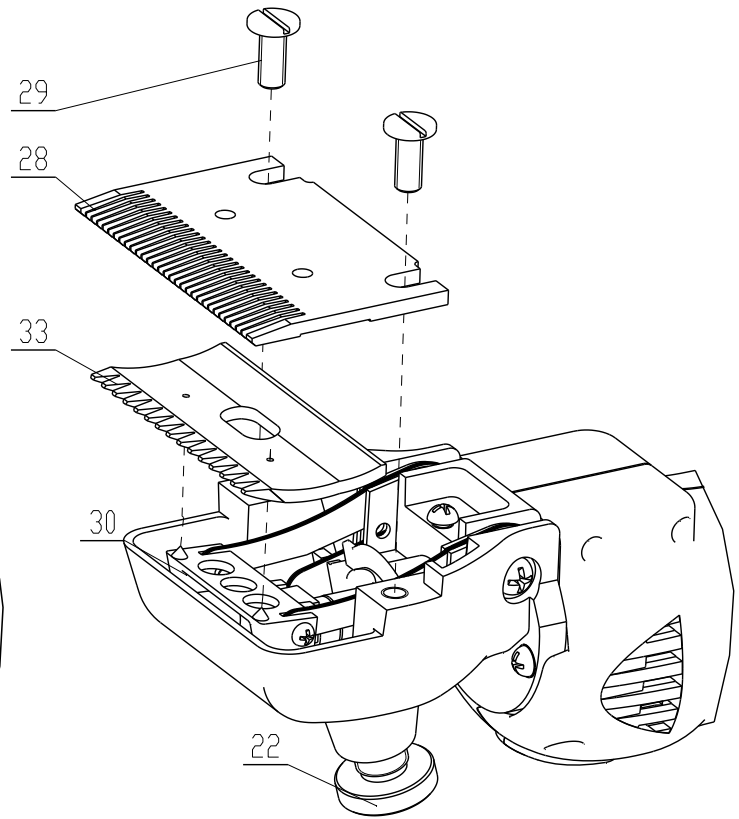


Figure 7

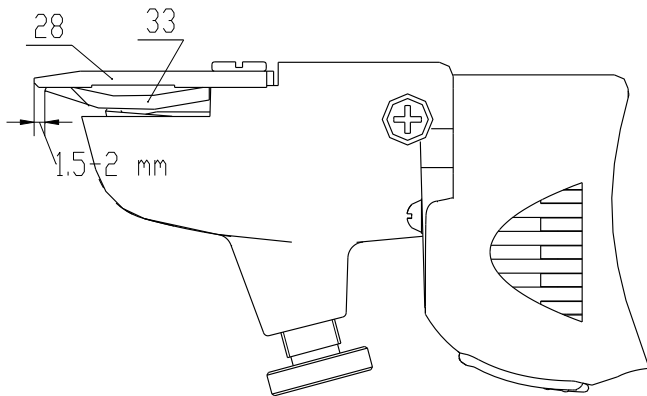


Figure 8

10. Environmental protection and disposal

Please note that these clippers, battery and charger must not be mixed with general household waste.


In line with the current Waste Electrical and Electronic Equipment (WEEE) Directive, the seller can accept this product back for safe disposal and will prevent your old clipper going into landfill by disposing of it safely.

Please contact the seller should you wish to send in your clippers for safe disposal.



11. Liability

The seller will not be held responsible for any damage which has been caused by negligence, such as improper use of the clippers, batteries or charger where the instructions have not been read and adhered to. Modifications must not be made to these clippers and any replacement parts used must be genuine parts from the seller.

Conforms with the requirements of the relevant EU directives and regulations	
Information on the disposal of Waste Electrical & Electronic Equipment (WEEE). This symbol on the products and accompanying documents means that used electrical and electronic products should not be mixed with general household waste. For proper disposal for treatment, recovery and recycling, please take these products to designated collection points where they will be accepted on a free of charge basis. In some countries you may be able to return your products to your local retailer upon the purchase of a new product. Disposing of this product correctly will help you save valuable resources and prevent any possible effects on human health and the environment, which could otherwise arise from inappropriate waste handling. Please contact your local authority for further details of your options.	